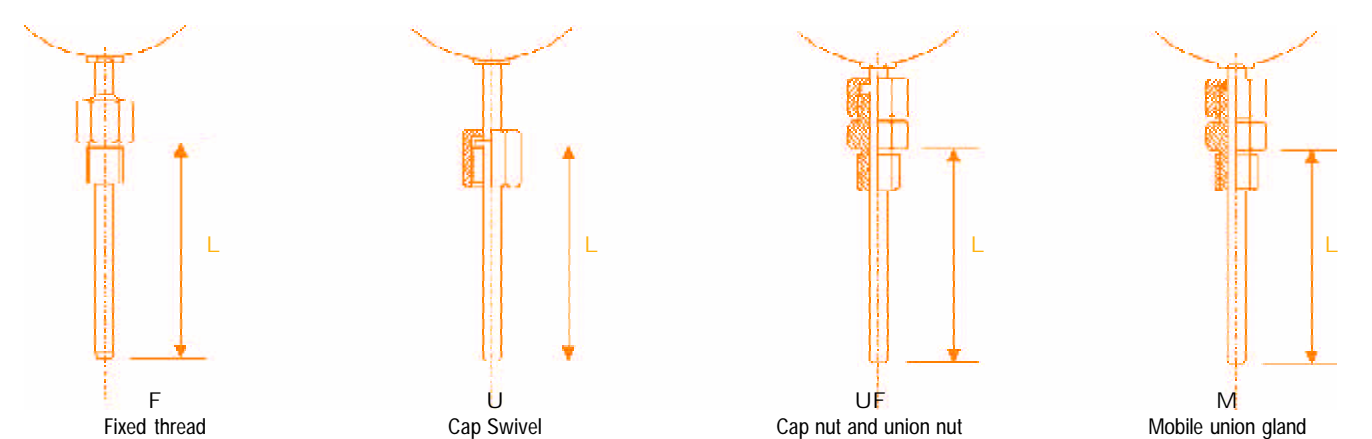
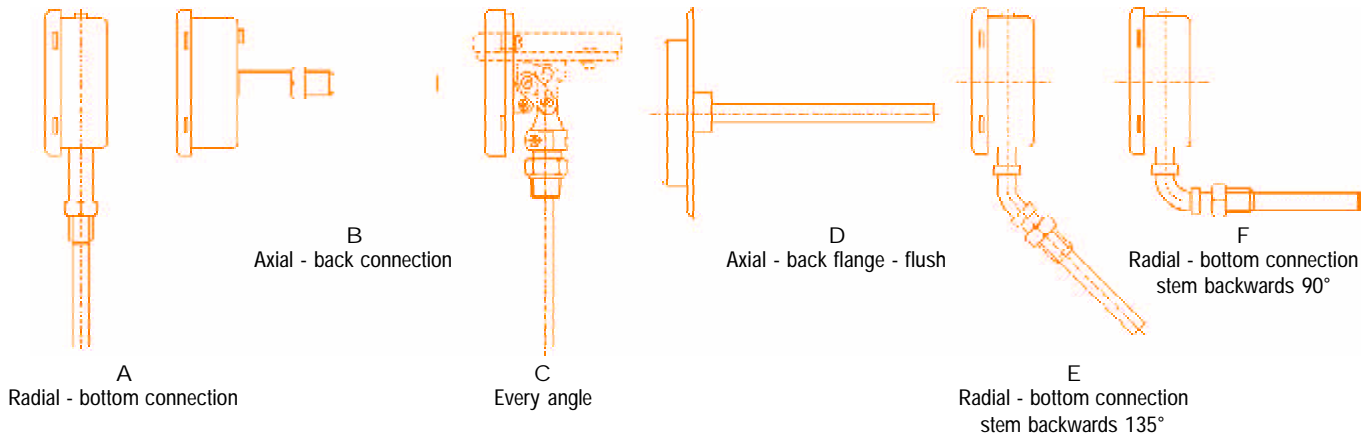


# 620

## Dial thermometer rigid stem



620.000

### Thermometer with rigid stem standard type

**Ø Dimensions:**  
1-5/16", 2", 2-1/2", 3", 4", 5", 6", 8", 10"  
**Measuring systems:**  
Bimetallic, gas, mercury  
**Case:**  
Steel or aluminium black enameled  
**Stem:**  
Brass, steel or stainless steel  
Ø 5/32"...32/64"  
**Connections:**  
All types, BSP / NPT / Metric  
**Range:**  
-70...+650°C / -60...+1'620°F  
**Accuracy:**  
+/- 1, 1.5, 2%



620.080

620.080  
**Thermometer for air conditioning ducts**  
Low cost bimetallic thermometers  
**Ø Dimensions:**  
2-1/2", 3", 4", 6"  
**Case:**  
Metal with galvanized back flange  
**Mounting:**  
D  
**Stem:**  
Ø 23/64" ( 9mm)  
L = 8" (200 mm)  
**Range:**  
-20...+60°C  
**Stock item:**  
Ø 3"  
Further ranges and lengths upon request



620.020...079

### Thermometer for heating installations

Low cost bimetallic thermometers  
**Ø Dimensions:**  
2-1/2", 3", 4", 6"  
**Case:**  
Metal with chromed bezel  
**Mounting:**  
B - axial (or A radial), supplied with thermowell in brass  
**Range:**  
0...+120°C, Acc. +/- 2%  
**Connections**  
1/2" BSP  
**Stock item**  
in Ø 3", L=2"  
Further ranges and lengths upon request